

Installation Instructions

For ScapeWEL® Window Well Cover Grate

PAINTING INSTRUCTIONS:

The ScapeWEL Cover Grate must be painted prior to installation.

Each Cover Grate panel is supplied with a uniform baked-on prime coating applied by a Flo-Coat Process. Prior to installation, clean all interior and exterior steel surfaces thoroughly and apply a finish coat of alkyd metal enamel.

INSTALLATION:

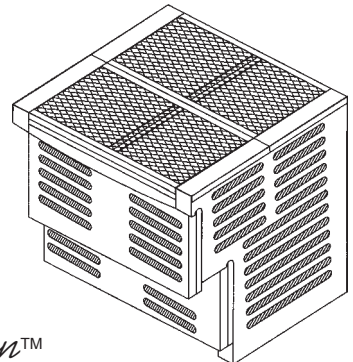
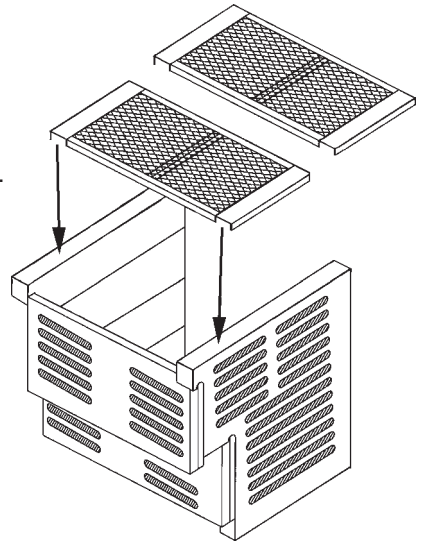
Place cover grate on window well as shown. Either section can be placed in front or back of window well.

OPERATION:

For emergency egress: Use both hands to push cover up and forward.

IMPORTANT: Make sure that everyone in the household understands how the cover grate is removed.

For additional information or questions, please contact The Bilco Company at: 1-800-854-9724 or www.bilco.com



Building on Our Tradition™